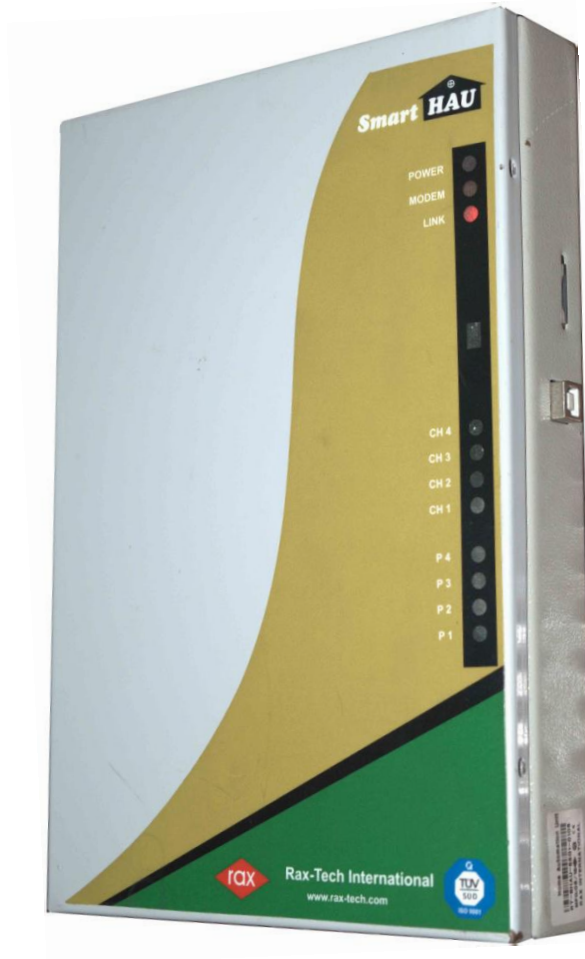




**SMART HOME AUTOMATION
GSM
RT-SHAU-55G**



COVERING SHEET

REVISION HISTORY

REV NO.	DATE	NO. OF PAGES	PREPARED BY	REVIEWED BY	APPROVED BY
0	08-03-17	3	GSB	CG	AX



SMART HOME AUTOMATION RT-SHAU-55G
GSM
RT-SHAU-55G

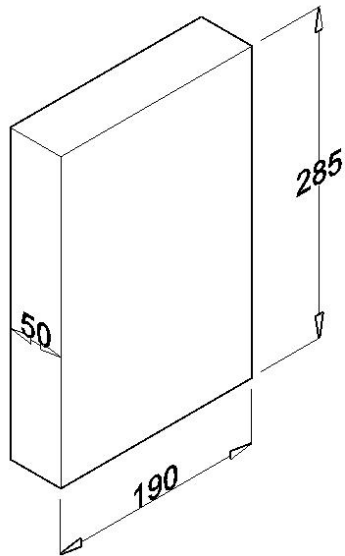


1. APPLICATIONS:

Smart Home automation is the compact unit for automation and security. It is easily configurable with laptop, SMS. Electrical gadgets like AC's, lights etc., can be controlled through SMS. It is used in apartments, villas, commercial buildings.

2. FEATURES:

- Rugged metallic enclosure RAL7035 with smooth finish
- Digital inputs - 4 nos. digital inputs signals and 1 no. Panic help.
- Digital outputs – 4 nos. potential free output relays 230VAC, 3A, and 1 no. Potential free output for siren.
- User mode – In/Out/sleep. Panels inbuilt switch for mode selections
- Time – hooter durations are configurable, Alerts delay for out mode is configurable
- User management – 1 admin and 2 user can be added to use security alerts and configuration
- 3 panic help nos. Can be added.
- Voice alert – Inbuilt voice stored for call alerts with respective port nos.
- Schedule – 6 nos. Schedules for output controls
- Indications – LED indications for input and output, Modem status
- Event Logs - Alert / output event Logs for Last events
- Alert type – user configurable multiple alerts like call, SMS, siren.
- 2G GSM standard SIM card slots
- Operating Voltage - Input Voltage 90-230VAC, output: 12VDC, 3A.

3. DIMENSIONS:

All Dimensions are in 'mm'

4. CALIBRATIONS:

This product is factory calibrated, No field calibration is necessary for the life of this product.

5. CERTIFICATIONS:

CE certified, RoHS compliant, ISO 9001:2008

6. WARRANTY

1 year carry-in warranty

Note: Please refer our product catalogue for other models selection.