



**INTERPOSING RELAY WITH UPS BATTERY MONITORING PANEL**

**5 OUTPUTS WITH BYPASS**

**RT-IRPO5UPS-00**



**COVERING SHEET**

**REVISION HISTORY**

REV NO.	DATE	NO. OF PAGES	REVISION DETAILS	PREPARED BY	REVIEWED BY	APPROVED BY
0	27-10-17	3	Initial draft with heavy bypass switch	GSB	RA	AX
1	19-05-18	3	With bypass mechanism change	SJC	RA	AX
2	20-10-18	4	Included UPS Battery monitoring	JC	RA	AX



## INTERPOSING RELAY WITH UPS BATTERY MONITORING PANEL

### 5 OUTPUTS WITH BYPASS

### RT-IRPO5UPS-00



#### PRODUCT OVERVIEW:

The Interposing Relay with UPS Battery monitoring Panel is proposed to drive the electrical loads in AAU panel. By using this unit, we can drive two types of loads of maximum 10A and 40A. And also to monitor/measure the UPS battery voltage and inform the status to alarm panel by using inbuilt Modbus communication interface. The unit eliminates the use of bigger sized, high cost rotary switch and uses a simple toggle switch for bypass action and drive for the relays which drives the high load. Simple preventive maintenance should be performed on a regular basis to make sure UPS operating at maximum efficiency. This panel is provided to monitor/measure the UPS battery voltage and inform the status to alarm panel by using inbuilt Modbus communication interface.

The user has the following benefits

- ✓ Switching heavy loads through the unit instead switching directly from alarm panel
- ✓ Work on any scheduled operation from the alarm panel
- ✓ Provided with bypassing option
- ✓ Reliable and Secured facility
- ✓ Error free switching of high loads
- ✓ Modbus RS485 Communication to panel
- ✓ Measurement of Voltage with 1% accuracy
- ✓ Ability to measure voltage from 0-120V range



TM

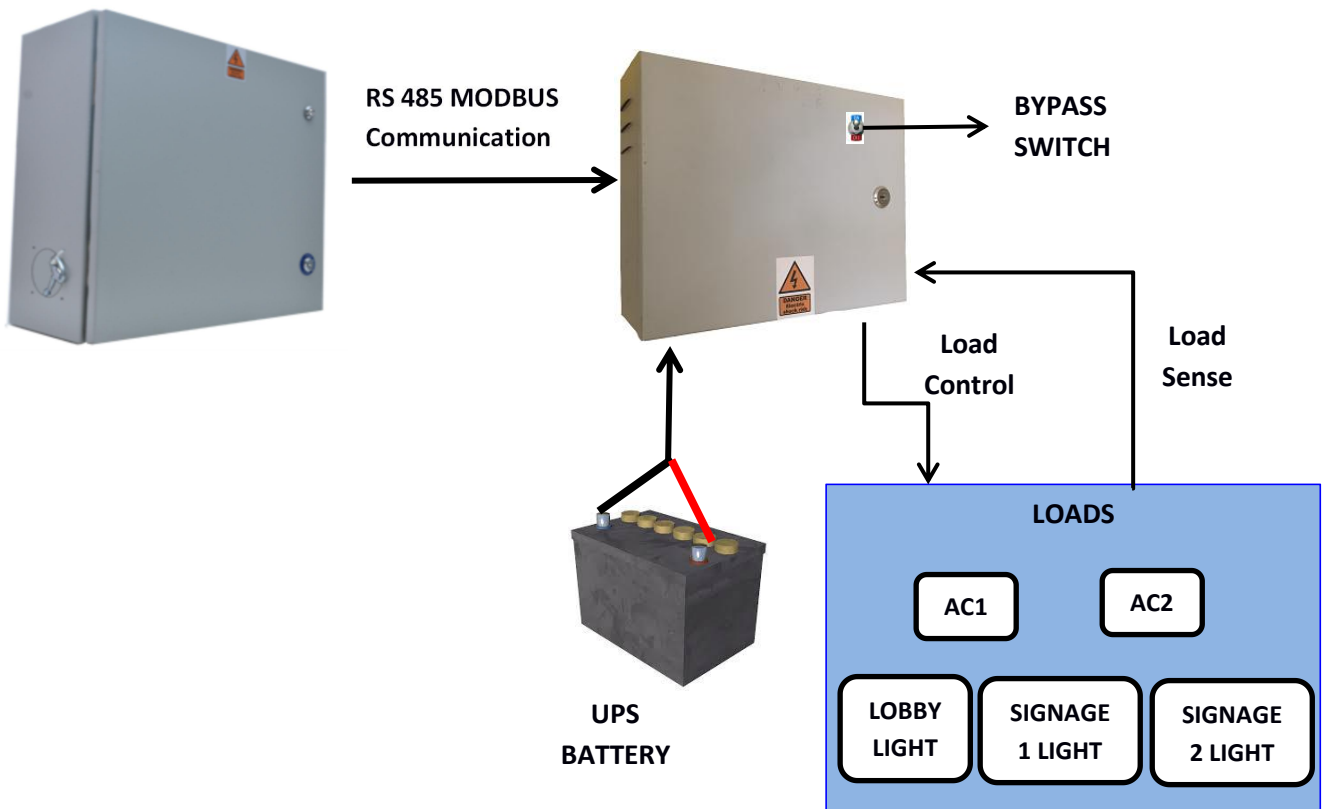
Rax-Tech International

[www.rax-tech.com](http://www.rax-tech.com)

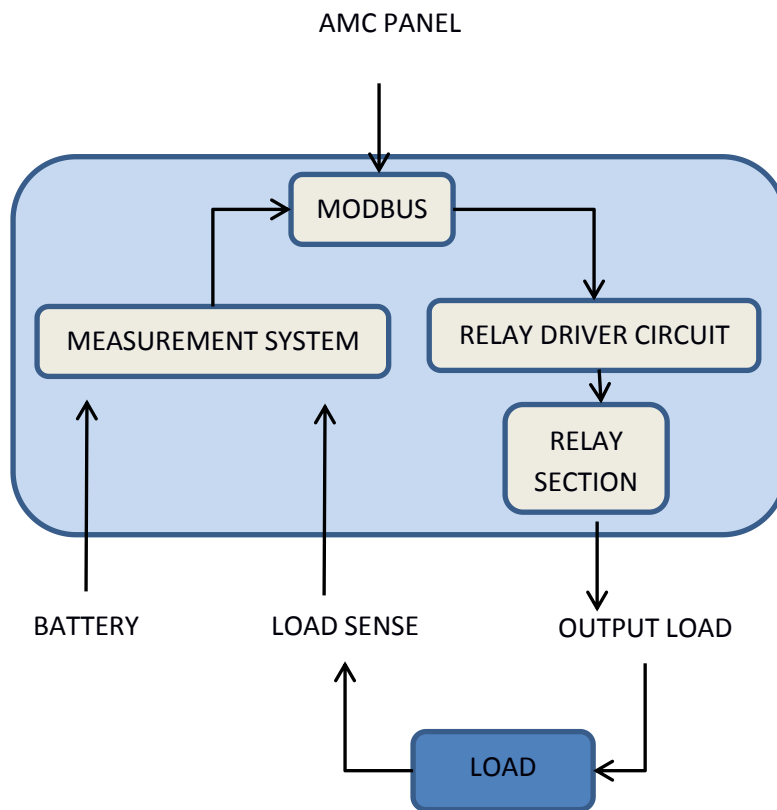
**FEATURES:**

- High load switching based on command from Alarm panel
- ON Board potential free relay outputs (Three number of 10A relays & two number of 40A relays)
- Bypassing option provided using toggle switch mechanism
- ON Board power on indication
- Battery voltage measurement
- Inbuilt Mod bus communication modules
- User can monitor the UPS status Remotely
- Helps to increase the Battery Efficiency and life cycle

**CONNECTION DIAGRAM:**



**BLOCK DIAGRAM:**



**CALIBRATION:**

This product is factory calibrated, No field calibration is necessary for the life of this product.

**APPLICATION:**

Banks/ATM's, Commercial buildings

**CERTIFICATIONS:**

CE certified, RoHS compliant

**WARRANTY:**

1 year warranty