



ALARM PANEL
8 Zone
GSM / Ethernet Communication



COVERING SHEET

REVISION HISTORY

REV	DATE	NO. OF PAGES	PREPARED BY	REVIEWED BY	APPROVED BY
0	28-02-17	3	GSB	CG	AX



ALARM PANEL

8 Zone

GSM / Ethernet Communication



1. APPLICATION

Squadron alarm automation panel are deployed for electronic security in banks, ATM centres and remote facility to prevent any intrusion or theft of valuables from the premises.

2. FEATURES

- Rugged powder coated cabinet.
- Digital Input zones – 8 nos. 1 smoke zone, 1 temperature/light zone.
- Dedicated tamper zone.
- Digital Output zones - 3 nos - 230VAC/3A.
- Inbuilt GSM Modem supported networks 2G,3G (GSM model only).
- User Configurable Multiple Alerts like Call, SMS, CMS/GPRS packets, Hooter etc (GSM model only).
- Voice message for alerts could be user configurable through SD cards.
- MODBUS Communication protocol for Keypad.
- Inbuilt Flash storage for Events log.
- Configurations through Android Applications, Keypad or utility software.
- Remote Monitoring through Android Apps, CMS.
- Standard Protocol supported - Ademco-CID, SIA-DCS.
- Optional wireless receiver for 433 MHz.
- Ethernet communication, Remote Firmware upgradable.
- Multiple Zone grouping, Entry /Exit Delay time for Zones, ARM/DISARM/SILENT modes.
- LED indications for Power, Zones and Channels.
- Inbuilt Power Backup with battery charging Circuit for 12VDC and battery drain alert, Charging Amps -1A for 7AH, 12V battery.
- SMPS Card -12VDC, 3A for the card and external sensors.
- Power Supply 220V, single phase, 50Hz/60Hz, 30W.

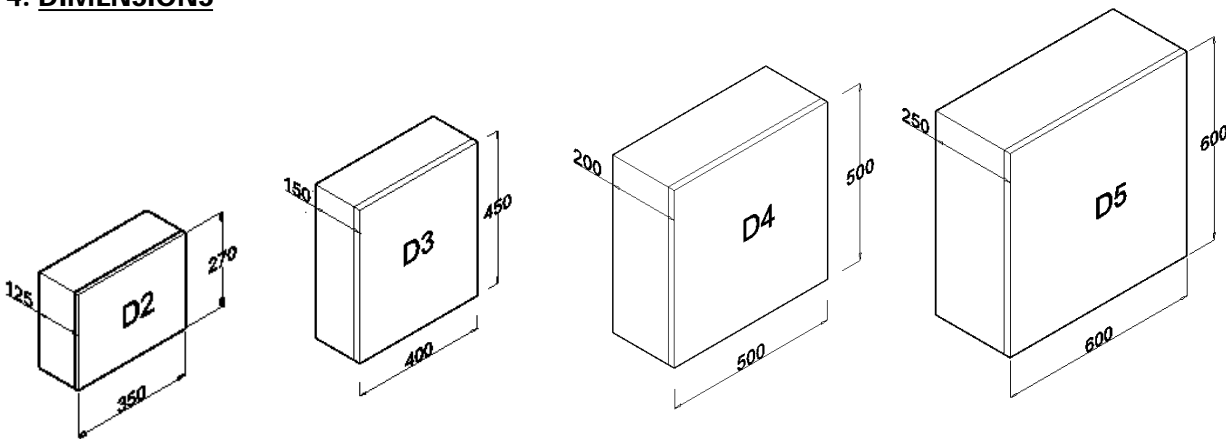
3. PRODUCT SELECTION

Model	Communication	Backup provision	Dimension
RT-AP-8ZXG-D2	GSM	Yes **	Size D2 350 X 270 X 125
RT-AP-8ZEX-D2	Ethernet	Yes **	Size D2* 350 X 270 X 125
RT-AP-8ZEG-D2	Ethernet & GSM	Yes **	Size D2* 350 X 270 X 125

*Big size panels (D3, D4, and D5) shall also be supplied to accommodate DVR / NVR

** Battery not provided

4. DIMENSIONS



ALL DIMENSIONS ARE IN 'mm'

5. CALIBRATION:

This product is factory calibrated, No field calibration is necessary for the life of this product.

6. CERTIFICATIONS:

CE certified, RoHS compliant, ISO 9001:2008

7. WARRANTY:

1 year warranty

Note: Please refer our product catalog for other models selection.