



ALARM AUTOMATION PANEL

32 Zone

GSM / Ethernet Communication



COVERING SHEET

REVISION HISTORY

REV	DATE	NO. OF PAGES	PREPARED BY	REVIEWED BY	APPROVED BY
0	26.09.16	3	GSB	CG	AX



ALARM AUTOMATION PANEL

32 Zone

GSM / Ethernet Communication



1. APPLICATIONS:

Squadron alarm automation panel takes care of electronic security, automation, surveillance, power monitoring of remote locations wherever it is placed. It keeps the environment safe and communicates all the necessary details to central monitoring station.

2. FEATURES:

- Rugged powder coated cabinet.
- Instant alerts like CMS packet, hooter, SMS and calls (GSM models)
- 32 zone digital inputs (Door sensor, Droughting sensor, Vibration sensor, PIR, Etc...).
- 6 zone analog inputs (Smoke sensor, fail safe/secure sensor etc...).
- 2 zone Analog inputs (Room Temperature and LUX Value Measurement).
- 1 FAS Zone (up to 16 numbers of Smoke/Heat /MCP).
- 15 Output control relays with ratings 3Amps/230VAC (Lights, AC's, Signboard lights...etc...).
- SMPS output voltage -12VDC /6 Amps.
- Support GPRS backup card.
- Inbuilt 8 hours battery backup.
- Inbuilt power manager monitor's EB, UPS voltage and Battery condition (battery low alerts 30 minutes before draining).
- MODBUS Communication protocol for Keypad, Energy Monitoring, Fuel monitoring etc.,
- Ethernet Module -Pluggable Expander card for LAN communications
- Inbuilt Flash storage for Events log
- Configurations through Andorid Applications, Keypad, SMS ,Utilities
- Remote Monitoring through Android Apps, CMS
- Standard Protocol supported - Ademco-CID, SIA-DCS
- Remote Firmware upgradable
- Multiple Zone grouping, Entry /Exit Delay time for Zones.



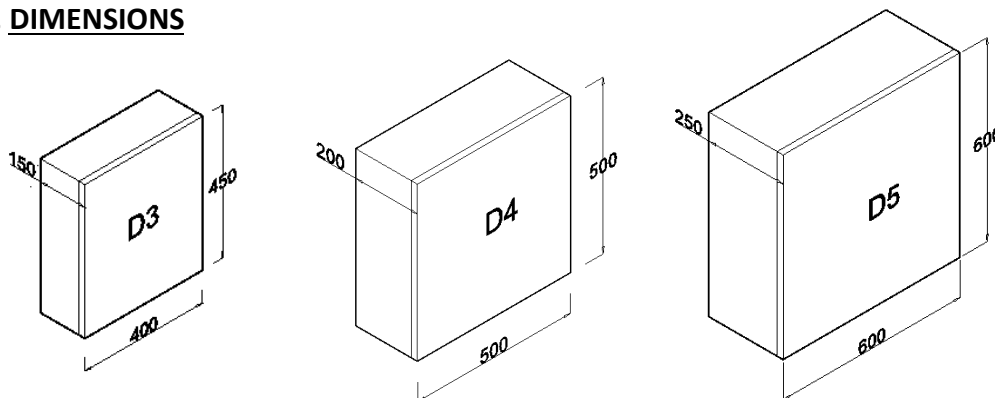
3. PRODUCT SELECTION

Model	Communication	Backup provision	Dimension
RT-AAP-32ZG1G-D3	GSM SMS/Calls	Yes **	Size D3 400 X 450 X 150
RT-AAP-32ZG1E-D3	Ethernet	Yes **	Size D3* 400 X 450 X 150
RT-AAP-32ZG1EG-D4	Ethernet, GSM SMS/calls	Yes **	Size D4* 500 X 500 X 200

*Big size panels (D4 and D5) shall be supplied to accommodate DVR / NVR variable sizes

** Battery not provided

4. DIMENSIONS



ALL DIMENSIONS ARE IN 'mm'

5. CALIBRATION:

This product is factory calibrated, No field calibration is necessary for the life of this product.

6. CERTIFICATIONS:

CE certified, RoHS compliant, ISO 9001:2008

7. WARRANTY:

1 year warranty

Note: Please refer our product catalogue for other models selection.